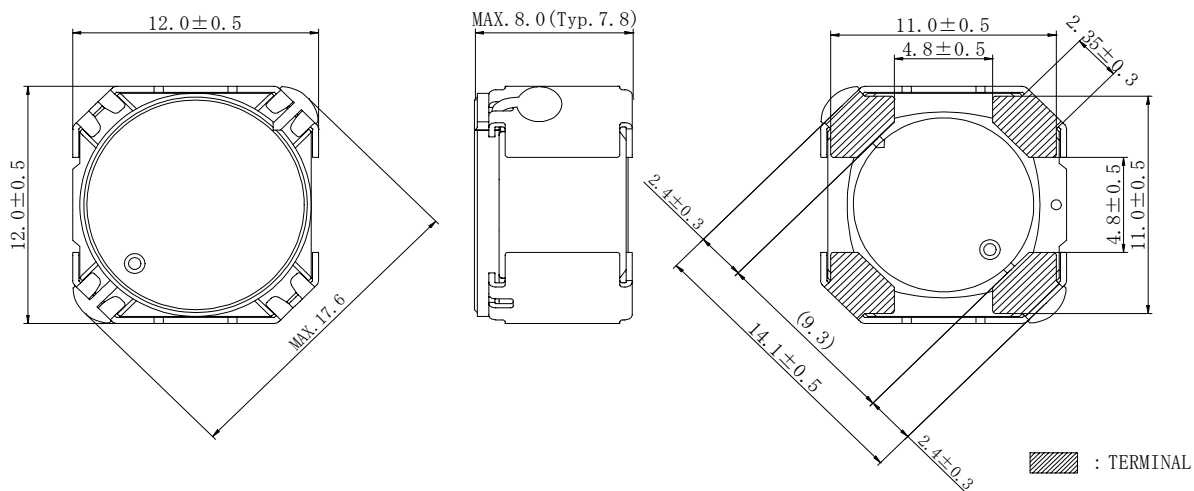
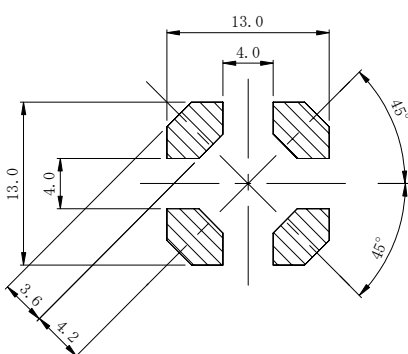
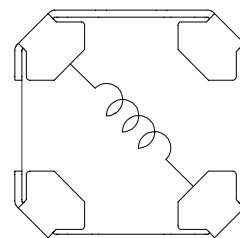


**Type: CDCH12D78/A**
**◆ Product Description**

- 12.5×12.5mm Max.(L×W), 8.0mm Max. Height.
- Inductance range: 10~390  $\mu$  H
- Rated current range:0.54~3.2A(125°C)
- In addition to the standard versions of inductors shown here, custom inductors are available to meet your exact requirements.


**◆ Feature**

- Magnetically unshielded construction.
- High reliable inductors, suitable to use in high temperature environment(125°C).
- Ideally for automotive applications as converter inductors.
- RoHS Compliance

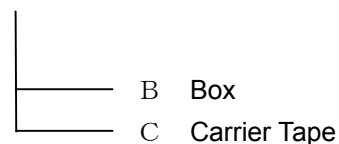
**◆ Dimensions (mm)**

**◆ Land Pattern (mm)**

**◆ Schematics (Bottom)**


**Type: CDCH12D78/A**
**◆ Specification**

Part Name ※	Stamp	Inductance [Within] 100kHz/1V	D.C.R.(mΩ) Max.(Typ.) (at 20°C)	Rated current (A)(at 125°C) ※1
CDCH12D78/ANP-100K□	100K	10 μH±10%	29(23)	3.2
CDCH12D78/ANP-120K□	120K	12 μH±10%	33(26)	3.1
CDCH12D78/ANP-150K□	150K	15 μH±10%	38(30)	2.9
CDCH12D78/ANP-180K□	180K	18 μH±10%	43(34)	2.7
CDCH12D78/ANP-220K□	220K	22 μH±10%	56(45)	2.3
CDCH12D78/ANP-270K□	270K	27 μH±10%	64(51)	2.1
CDCH12D78/ANP-330K□	330K	33 μH±10%	73(59)	2.0
CDCH12D78/ANP-390K□	390K	39 μH±10%	79(63)	1.8
CDCH12D78/ANP-470K□	470K	47 μH±10%	104(83)	1.6
CDCH12D78/ANP-560K□	560K	56 μH±10%	134(107)	1.5
CDCH12D78/ANP-680K□	680K	68 μH±10%	152(122)	1.4
CDCH12D78/ANP-820K□	820K	82 μH±10%	175(140)	1.3
CDCH12D78/ANP-101K□	101K	100 μH±10%	197(157)	1.2
CDCH12D78/ANP-121K□	121K	120 μH±10%	270(216)	1.0
CDCH12D78/ANP-151K□	151K	150 μH±10%	313(250)	0.94
CDCH12D78/ANP-181K□	181K	180 μH±10%	351(280)	0.89
CDCH12D78/ANP-221K□	221K	220 μH±10%	494(395)	0.72
CDCH12D78/ANP-271K□	271K	270 μH±10%	623(499)	0.63
CDCH12D78/ANP-331K□	331K	330 μH±10%	710(568)	0.61
CDCH12D78/ANP-391K□	391K	390 μH±10%	892(713)	0.54

**※ Description of part name**

C D C H 1 2 D 7 8 / A N P - 1 0 0 K □



※1. Rated current: The DC current at which the inductance decreases to 90 % of it's initial value or when  $\Delta t=30^{\circ}\text{C}$ , whichever is lower ( $T_a=125^{\circ}\text{C}$ ).